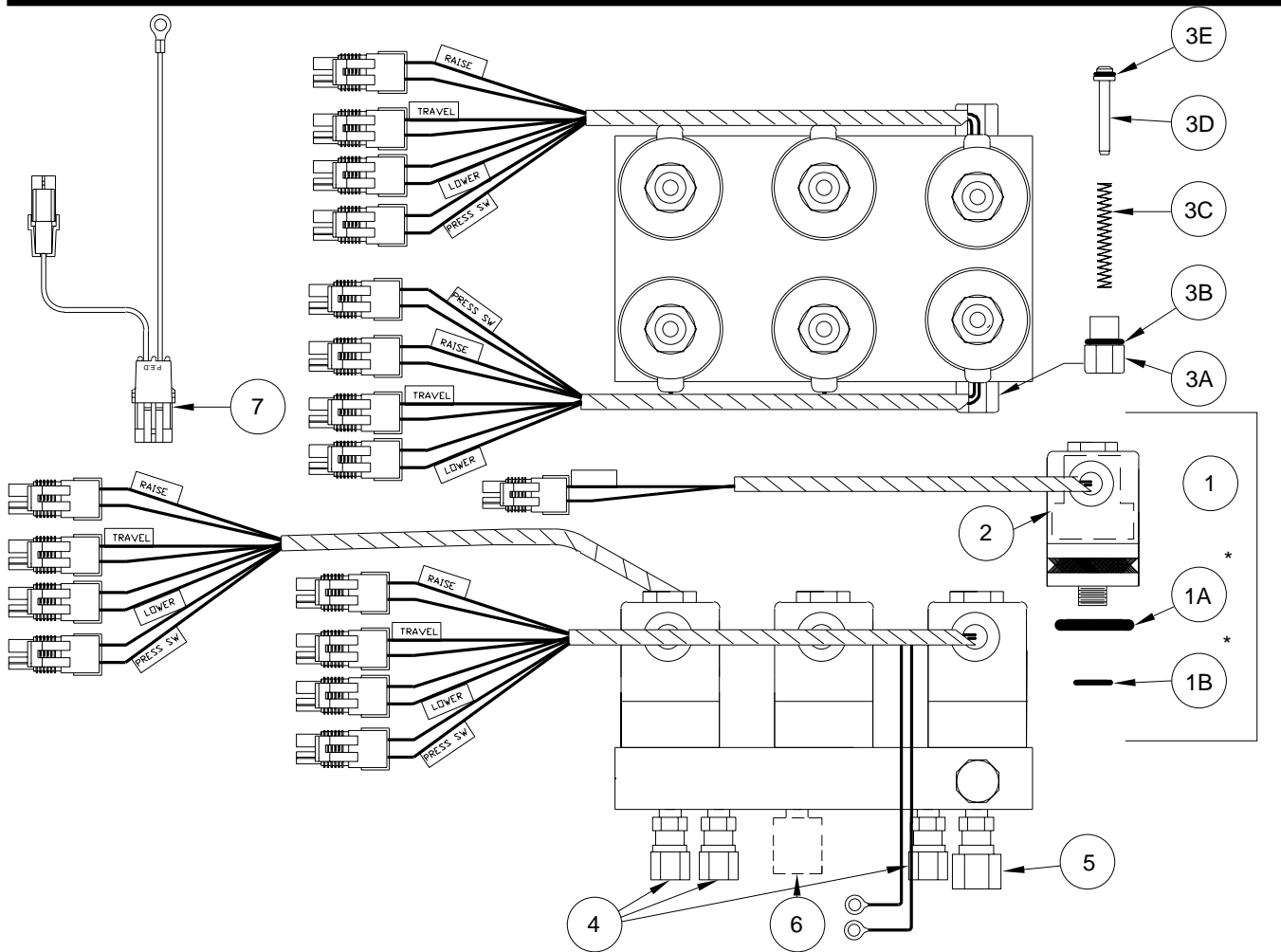


MANIFOLD ASSEMBLY, AIR - 6 VALVE (AP9283) (FORETRAVEL - FRONT)



ITEM	PART	QTY	DESCRIPTION
1	RAP1940	6	SOLENOID VALVE SCREW MOUNT COMPLETE : INCLUDES 1A, 1B AND 2
1A		1	O-RING
1B		1	O-RING
	RAP6554	1	O-RING KIT COMPOSED OF (6) 1A AND (6) 1B
2	RAP90568	1	REPLACEMENT COIL
3	RAP6553	1	CHECK VALVE KIT
3A		2	CAP
3B		2	O-RING
3C		2	SPRING
3D		2	PLUNGER
3E		2	O-RING

ITEM	PART	QTY	DESCRIPTION
4	RF6148	6	68NTA-6-2 3/8" TUBE 1/8" NPT
5	RF4478	1	68NTA-6-4 3/8" TUBE 1/4" NPT
6		1	PRESSURE SWITCHES SUPPLIED BY FORETRAVEL NOT HWH CORPORATION
7	RAP91915	1	ADAPTER KIT MUST BE ORDERED WHEN REPLACING A SOLENOID VALVE WITH A SINGLE PIN PACKARD INCLUDES INSTRUCTION SHEET

* GREASE LIGHTLY PRIOR TO ASSEMBLY

NOTE : INDENTED ITEMS INCLUDED WITH PRECEDING ITEM.

MR05.3000
09MAY13