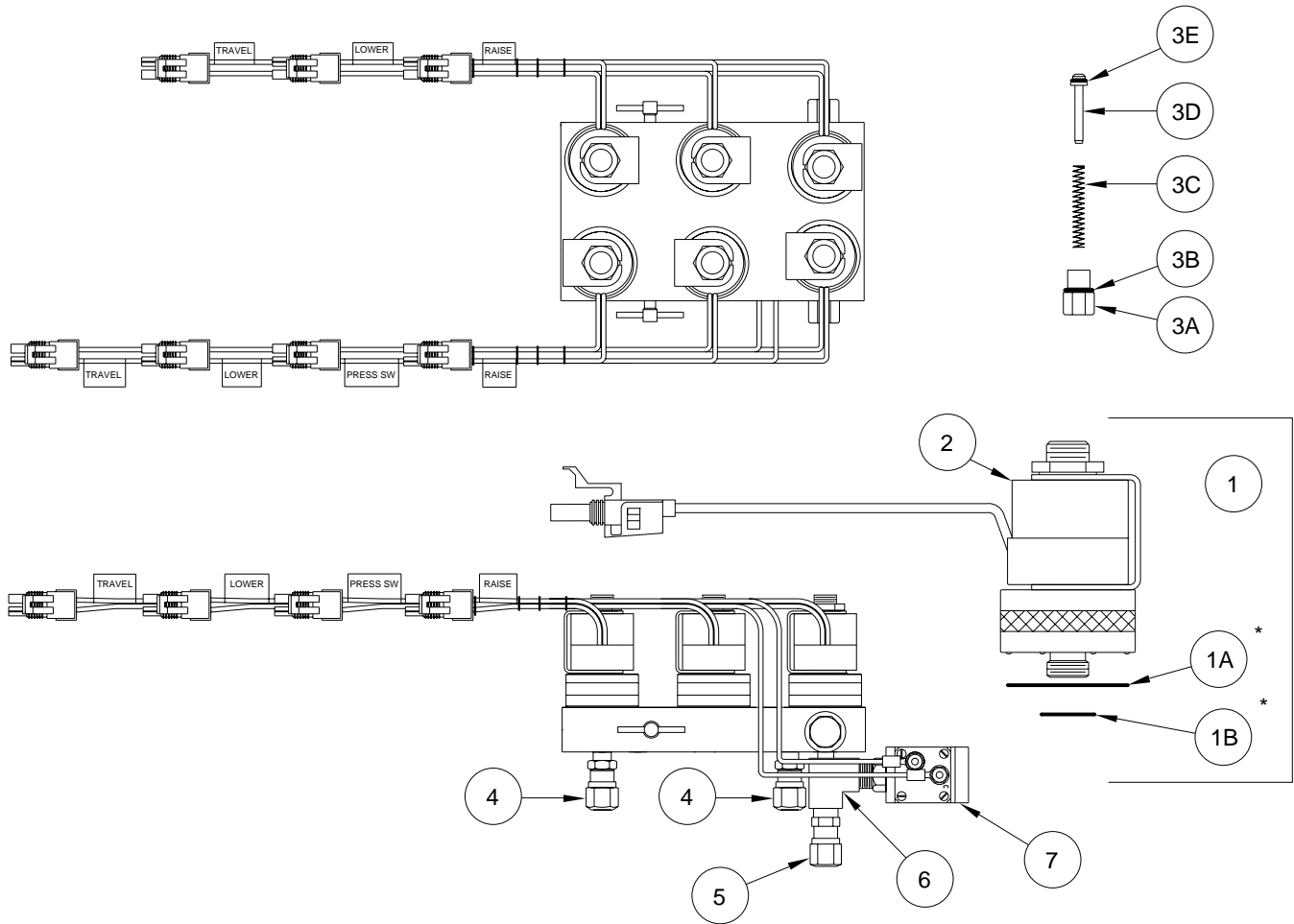


MANIFOLD ASSEMBLY, AIR - 6 VALVE (AP19986) (WITH ONE PRESSURE SWITCH AND BY-PASS VALVE)



ITEM	PART	QTY	DESCRIPTION
1	RAP1940	6	SOLENOID VALVE SCREW MOUNTED COMPLETE : INCLUDES 1A, 1B AND 2
1A			O-RING
1B			O-RING
	RAP6554	1	O-RING KIT COMPOSED OF (6) 1A AND (6) 1B
2	RAP90568	1	REPLACEMENT COIL
3	RAP6553	1	CHECK VALVE KIT
3A		2	CAP
3B		2	O-RING
3C		2	SPRING
3D		2	PLUNGER
3E		2	O-RING

ITEM	PART	QTY	DESCRIPTION
4	RF6148	4	MALE CONNECTOR 1/8" X 3/8"
5	RF4478	1	MALE CONNECTOR 1/4" X 3/8"
6	RF6944	2	TEE 1/4" X 1/4"
7	RAP90388	1	SWITCH PRESSURE 100 PSI (INCLUDES WIRE LEADS)

* GREASE LIGHTLY PRIOR TO ASSEMBLY

NOTE : INDENTED ITEMS INCLUDED WITH PRECEDING ITEM.

MR05.3304
09MAY13