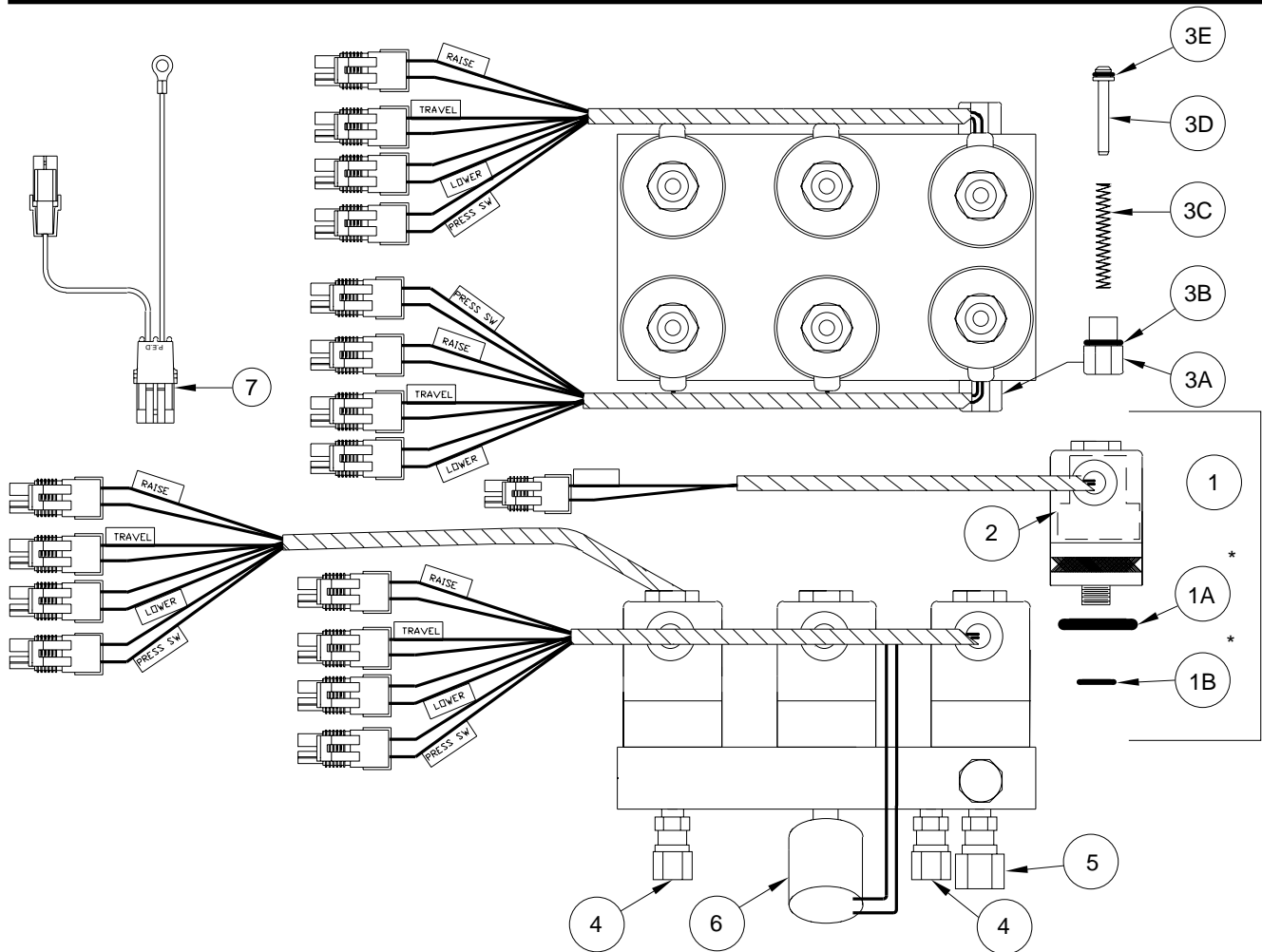


# MANIFOLD ASSEMBLY, AIR - 6 VALVE (AP1506)

(WITH PRESSURE SWITCH)



ITEM	PART	QTY	DESCRIPTION	ITEM	PART	QTY	DESCRIPTION
1	RAP1940	6	SOLENOID VALVE SCREW MOUNTED COMPLETE : INCLUDES 1A, 1B AND 2	4	RF4337	4	MALE CONNECTOR 1/8" X 1/4"
1A			O-RING	5	RF4478	1	MALE CONNECTOR 1/4" X 3/8"
1B			O-RING	6	RAP1720	2	SWITCH PRESSURE 20 PSI (INCLUDES WIRE LEADS)
	RAP6554	1	O-RING KIT COMPOSED OF (6) 1A AND (6) 1B	7	RAP91915	1	ADAPTER KIT MUST BE ORDERED WHEN REPLACING A SOLENOID VALVE OR PRESSURE SWITCH WITH A SINGLE PIN PACKARD INCLUDES INSTRUCTION SHEET
2	RAP90568	1	REPLACEMENT COIL				
3	RAP6553	1	CHECK VALVE KIT				
3A		2	CAP				
3B		2	O-RING				
3C		2	SPRING				
3D		2	PLUNGER				
3E		2	O-RING				

\* GREASE LIGHTLY PRIOR TO ASSEMBLY

NOTE : INDENTED ITEMS INCLUDED WITH PRECEDING ITEM.

MR05.3325  
09MAY13