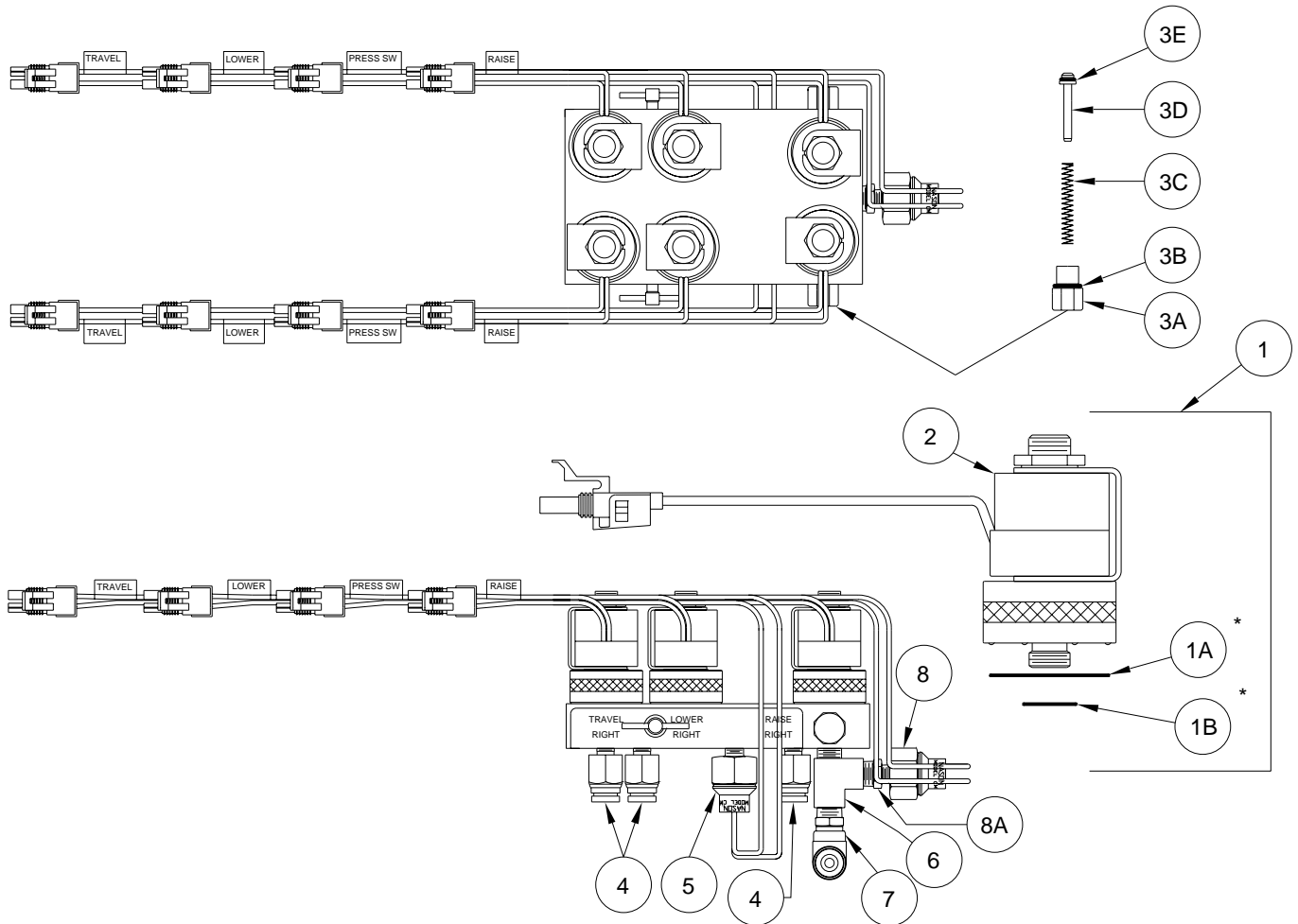


MANIFOLD ASSEMBLY, AIR - 6 VALVE (AP35020)

(WITH TRAVEL BY-PASS 3-PRESSURE SWITCHES & PUSH TO CONNECT FITTINGS)



| ITEM | PART | QTY | DESCRIPTION | ITEM | PART | QTY | DESCRIPTION |
|------|----------|-----|--|------|----------|-----|--|
| 1 | RAP1940 | 6 | SOLENOID VALVE SCREW MOUNTED COMPLETE : INCLUDES 1A, 1B AND 2 | 4 | RF91587 | 6 | 3/8" PUSH TO CONNECT 1/8" NPT |
| 1A | | | O-RING | 5 | RAP1720 | 2 | SWITCH PRESSURE 20 PSI |
| 1B | | | O-RING | 6 | RF6944 | 1 | 1/4" STREET TEE |
| | RAP6554 | 1 | O-RING KIT COMPOSED OF (6) 1A AND (6) 1B | 7 | RF91649 | 1 | 3/8" PUSH TO CONNECT ELBOW 1/4" NPT |
| 2 | RAP90568 | 1 | REPLACEMENT COIL | 8 | RAP90388 | 1 | SWITCH PRESSURE 100 PSI (REPLACES AP15387) |
| 3 | RAP6553 | 1 | CHECK VALVE KIT | 8A | RF90172 | 1 | BRASS BUSHING 1/4" X 1/8" |
| 3A | | 2 | CAP | | | | |
| 3B | | 2 | O-RING | | | | |
| 3C | | 2 | SPRING | | | | |
| 3D | | 2 | PLUNGER | | | | |
| 3E | | 2 | O-RING | | | | |

* GREASE LIGHTLY PRIOR TO ASSEMBLY

NOTE : INDENTED ITEMS INCLUDED WITH PRECEDING ITEM.

MR05.3606
09MAY13