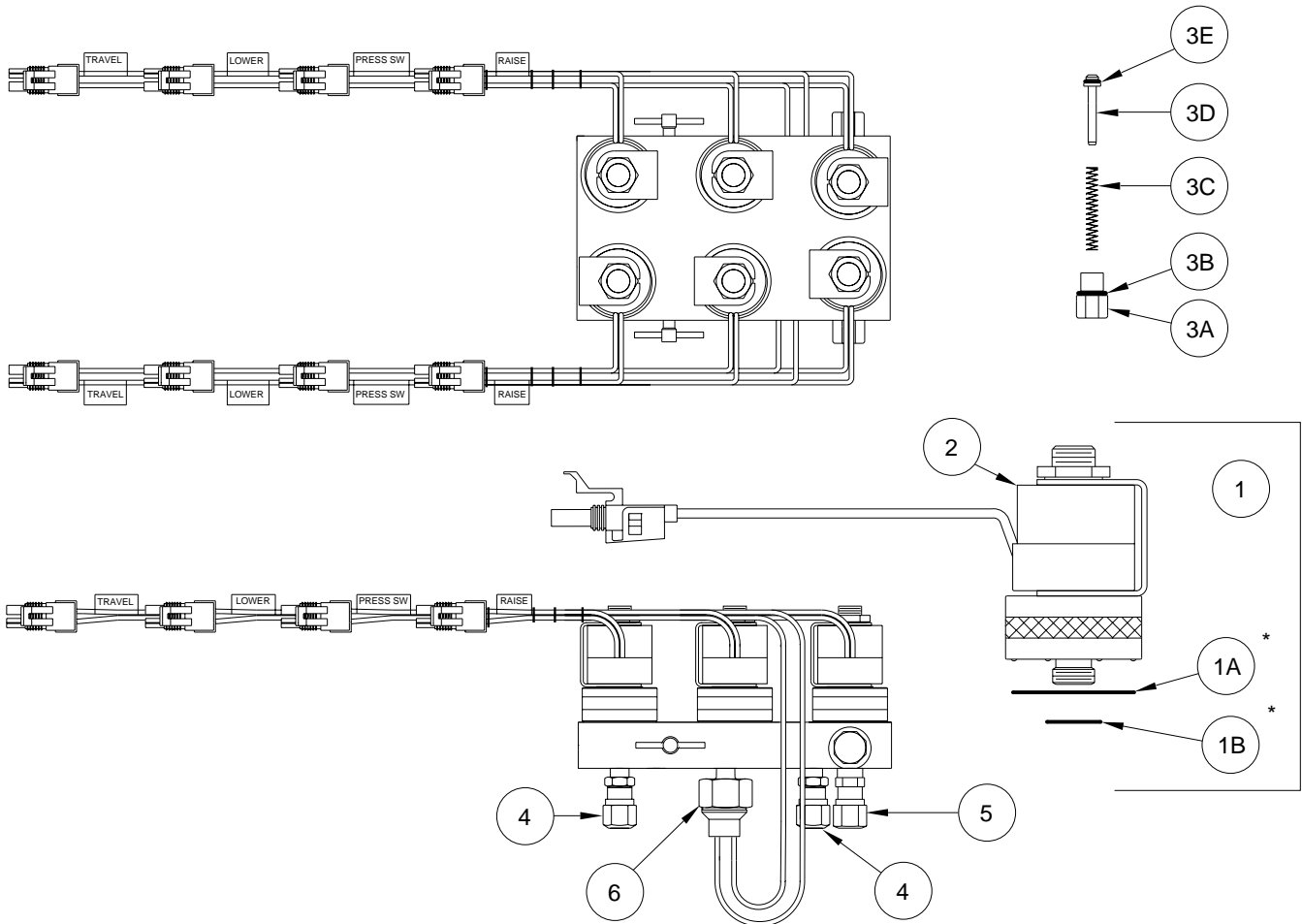


MANIFOLD ASSEMBLY, AIR - 6 VALVE (AP19985) (WITH 2-PRESSURE SWITCH AND BY-PASS VALVE)



ITEM	PART	QTY	DESCRIPTION
1	RAP1940	6	SOLENOID VALVE SCREW MOUNTED COMPLETE : INCLUDES 1A, 1B AND 2
1A			O-RING
1B			O-RING
	RAP6554	1	O-RING KIT COMPOSED OF (6) 1A AND (6) 1B
2	RAP90568	1	REPLACEMENT COIL

ITEM	PART	QTY	DESCRIPTION
3	RAP6553	1	CHECK VALVE KIT
	3A	2	CAP
	3B	2	O-RING
	3C	2	SPRING
	3D	2	PLUNGER
	3E	2	O-RING
4	RF6148	4	MALE CONNECTOR 1/8" X 3/8"
5	RF4478	1	MALE CONNECTOR 1/4" X 3/8"
6	RAP1720	2	SWITCH PRESSURE 20 PSI (INCLUDES WIRE LEADS)

* GREASE LIGHTLY PRIOR TO ASSEMBLY

NOTE : INDENTED ITEMS INCLUDED WITH PRECEDING ITEM.

MR05.3610
09MAY13