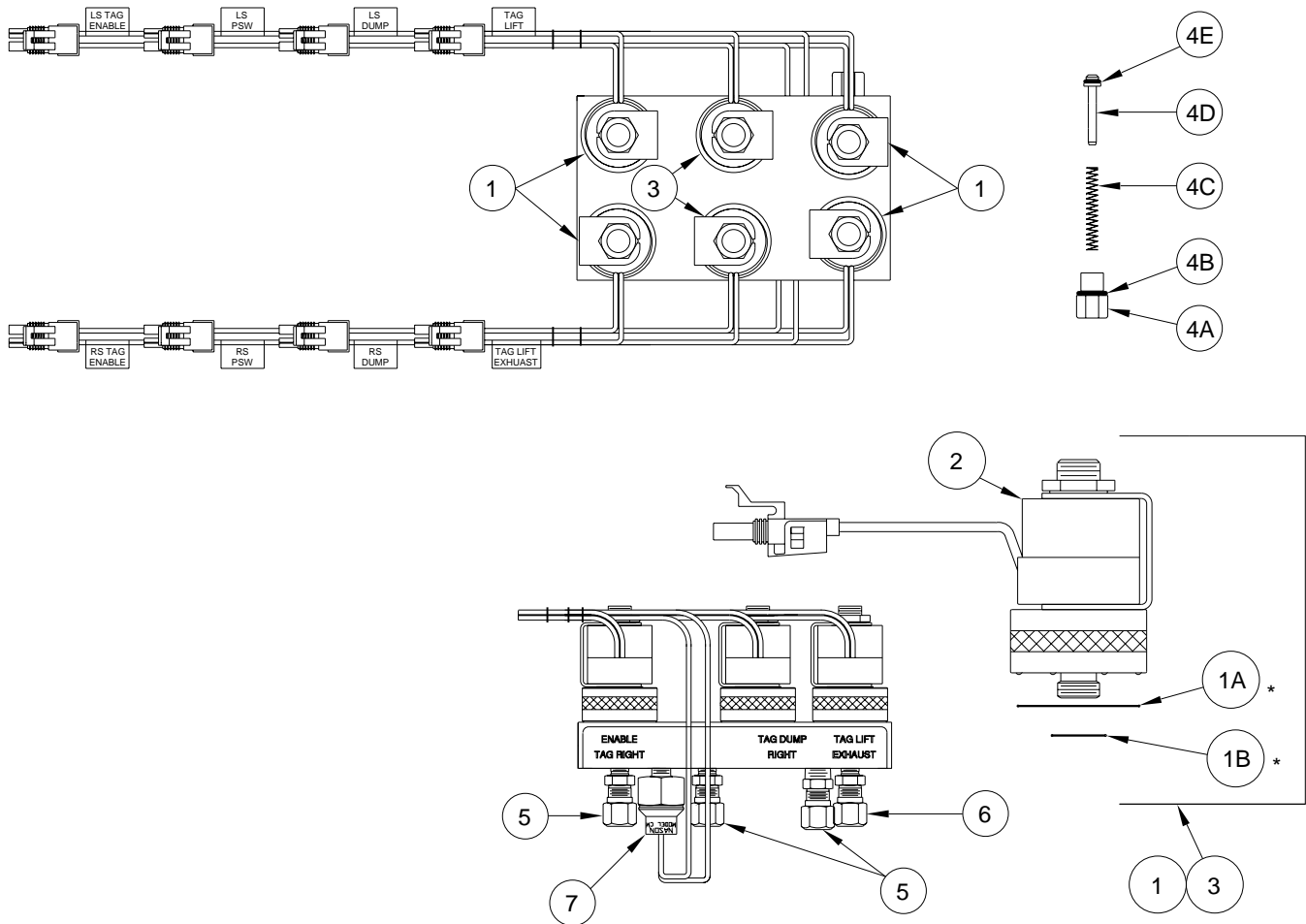


# MANIFOLD ASSEMBLY, AIR - 6 VALVE (AP25410)

(WITH 2-PRESSURE SWITCHES)



| ITEM | PART     | QTY | DESCRIPTION   |
|------|----------|-----|---|
| 1    | RAP1940  | 4   | SOLENOID VALVE<br>SCREW MOUNTED<br>COMPLETE :<br>INCLUDES 1A , 1B AND 2             |
| 1A   |          |     | O-RING  |
| 1B   |          |     | O-RING  |
|      | RAP6554  | 1   | O-RING KIT COMPOSED<br>OF (6) 1A AND (6) 1B   |
| 2    | RAP90568 | 1   | REPLACEMENT COIL  |
| 3    | RAP90989 | 2   | SOLENOID VALVE<br>HIGH FLOW<br>SCREW MOUNTED<br>COMPLETE :<br>INCLUDES 1A, 1B AND 2 |

| ITEM | PART    | QTY | DESCRIPTION  |
|------|---------|-----|--|
| 4    | RAP6553 | 1   | CHECK VALVE KIT                                    |
|      | 4A      | 2   | CAP  |
|      | 4B      | 2   | O-RING   |
|      | 4C      | 2   | SPRING   |
|      | 4D      | 2   | PLUNGER  |
|      | 4E      | 2   | O-RING   |
| 5    | RF6148  | 5   | MALE CONNECTOR<br>1/8" X 3/8"                      |
| 6    | RF4478  | 1   | MALE CONNECTOR<br>1/4" X 3/8"                      |
| 7    | RAP1720 | 2   | SWITCH PRESSURE<br>20 PSI (INCLUDES<br>WIRE LEADS) |

\* GREASE LIGHTLY PRIOR TO ASSEMBLY

NOTE : INDENTED ITEMS INCLUDED WITH PRECEDING ITEM.

MR05.3701  
09MAY13