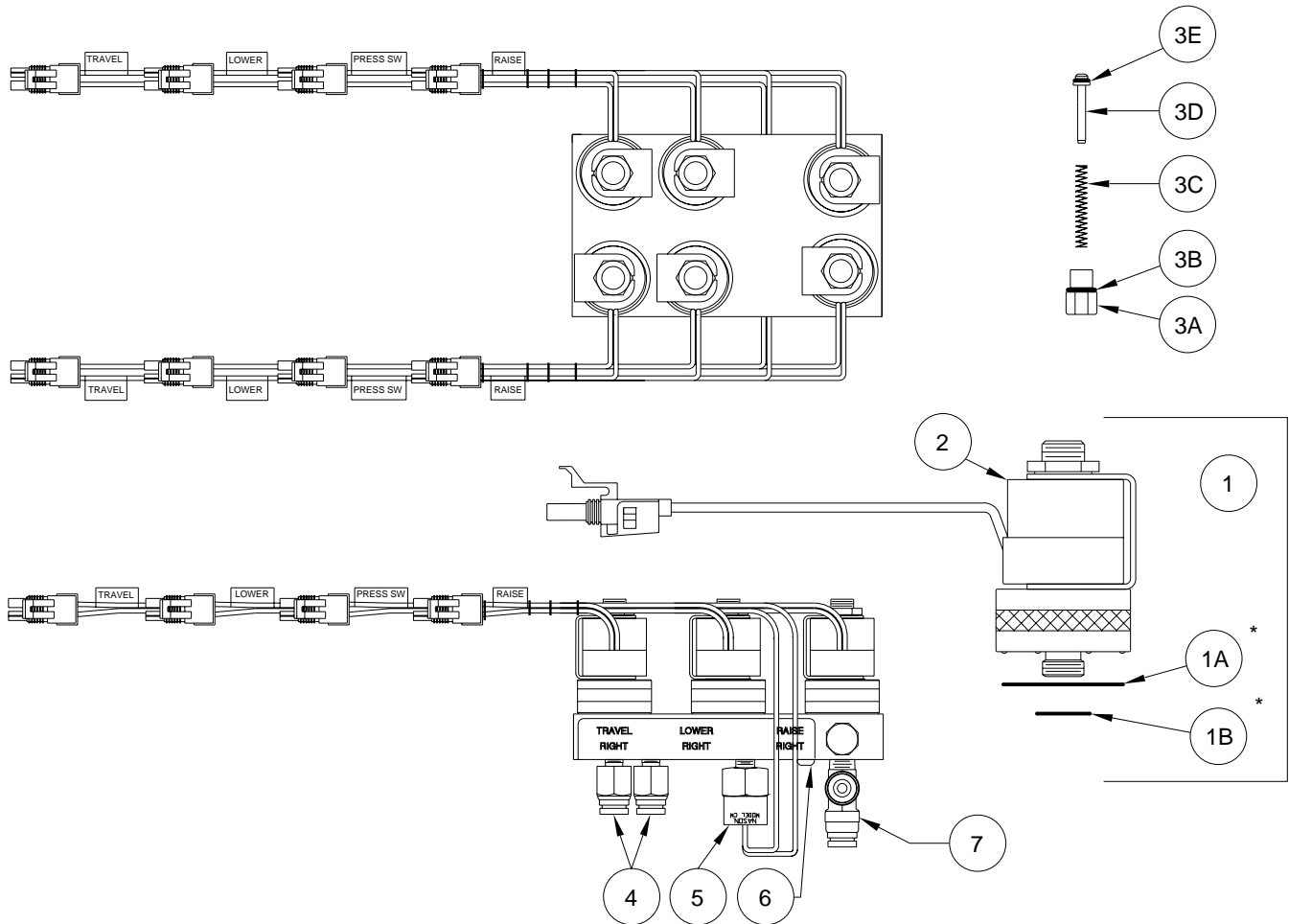


MANIFOLD ASSEMBLY, AIR - 6 VALVE (AP25473)

(WITH 2-PRESSURE SWITCHES)



ITEM	PART	QTY	DESCRIPTION	ITEM	PART	QTY	DESCRIPTION
1	RAP1940	6	SOLENOID VALVE SCREW MOUNTED COMPLETE : INCLUDES 1A, 1B AND 2	3	RAP6553	1	CHECK VALVE KIT
1A			O-RING	3A		2	CAP
1B			O-RING	3B		2	O-RING
	RAP6554	1	O-RING KIT COMPOSED OF (6) 1A AND (6) 1B	3C		2	SPRING
2	RAP90568	1	REPLACEMENT COIL	3D		2	PLUNGER
				3E		2	O-RING
				4	RF91587	4	3/8 PUSH AIR STR
				5	RAP1720	2	SWITCH PRESSURE 20 PSI (INCLUDES WIRE LEADS)
				6	RF90173	2	1/8 HEX PLUG
				7	RF91119	1	3/8 PUSH AIR TEE

* GREASE LIGHTLY PRIOR TO ASSEMBLY

NOTE : INDENTED ITEMS INCLUDED WITH PRECEDING ITEM.

MR05.3703
09MAY13