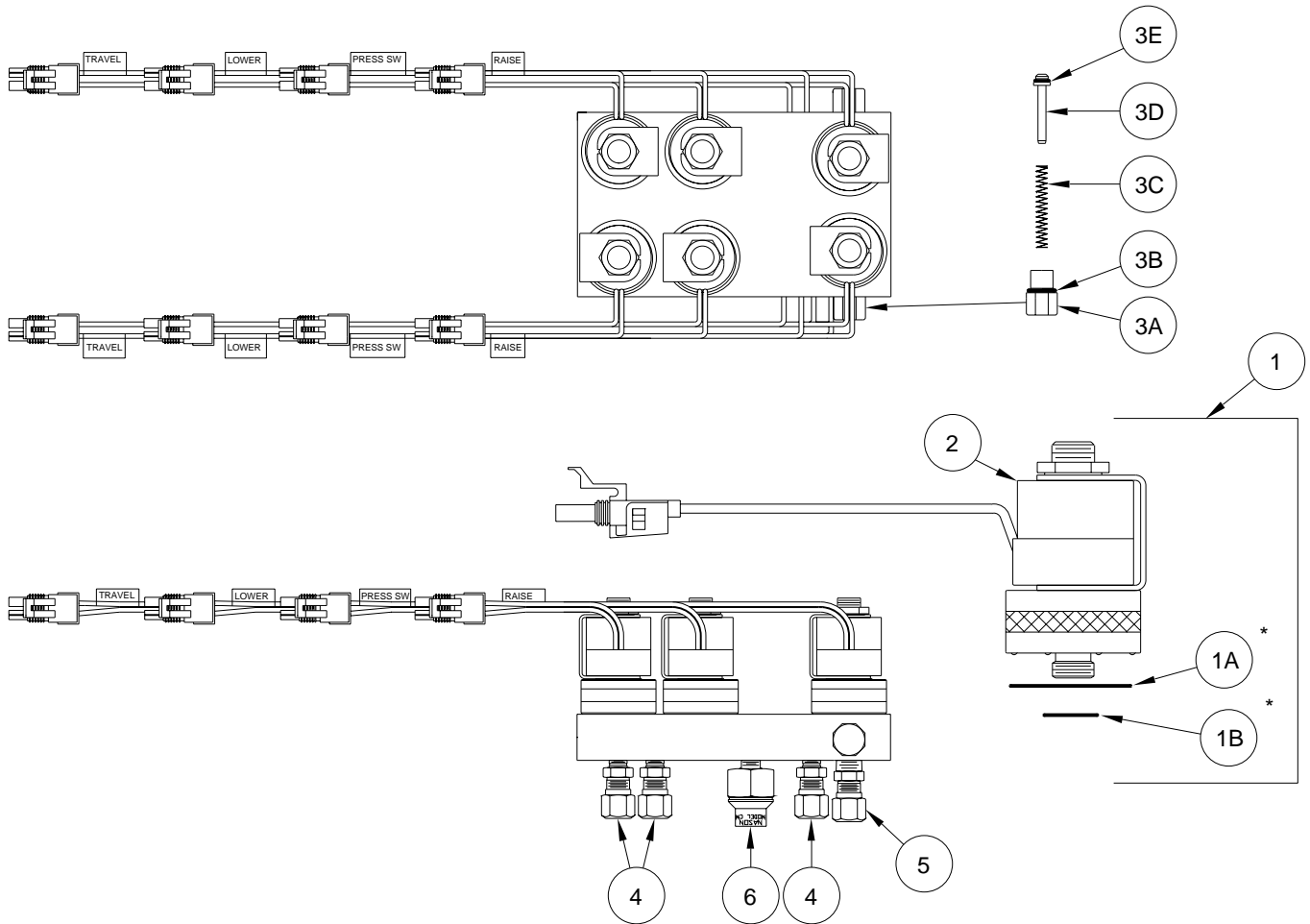


# MANIFOLD ASSEMBLY, AIR - 6 VALVE (AP24553) (WITH 2-PRESSURE SWITCHES)



ITEM	PART	QTY	DESCRIPTION
------	------	-----	-------------

1	RAP1940	6	SOLENOID VALVE SCREW MOUNTED COMPLETE : INCLUDES 1A, 1B AND 2
1A			O-RING
1B			O-RING

	RAP6554	1	O-RING KIT COMPOSED OF (6) 1A AND (6) 1B
--	---------	---	---

2	RAP90568	1	REPLACEMENT COIL
---	----------	---	------------------

ITEM	PART	QTY	DESCRIPTION
------	------	-----	-------------

3	RAP6553	1	CHECK VALVE KIT
3A		2	CAP
3B		2	O-RING
3C		2	SPRING
3D		2	PLUNGER
3E		2	O-RING

4	RF6148	6	MALE CONNECTOR 1/8" X 3/8"
---	--------	---	-------------------------------

5	RF4478	1	MALE CONNECTOR 1/4" X 3/8"
---	--------	---	-------------------------------

6	RAP92144	2	SWITCH PRESSURE 10 PSI
---	----------	---	---------------------------

\* GREASE LIGHTLY PRIOR TO ASSEMBLY

NOTE : INDENTED ITEMS INCLUDED WITH PRECEDING ITEM.

**MR05.3711**  
**09MAY13**