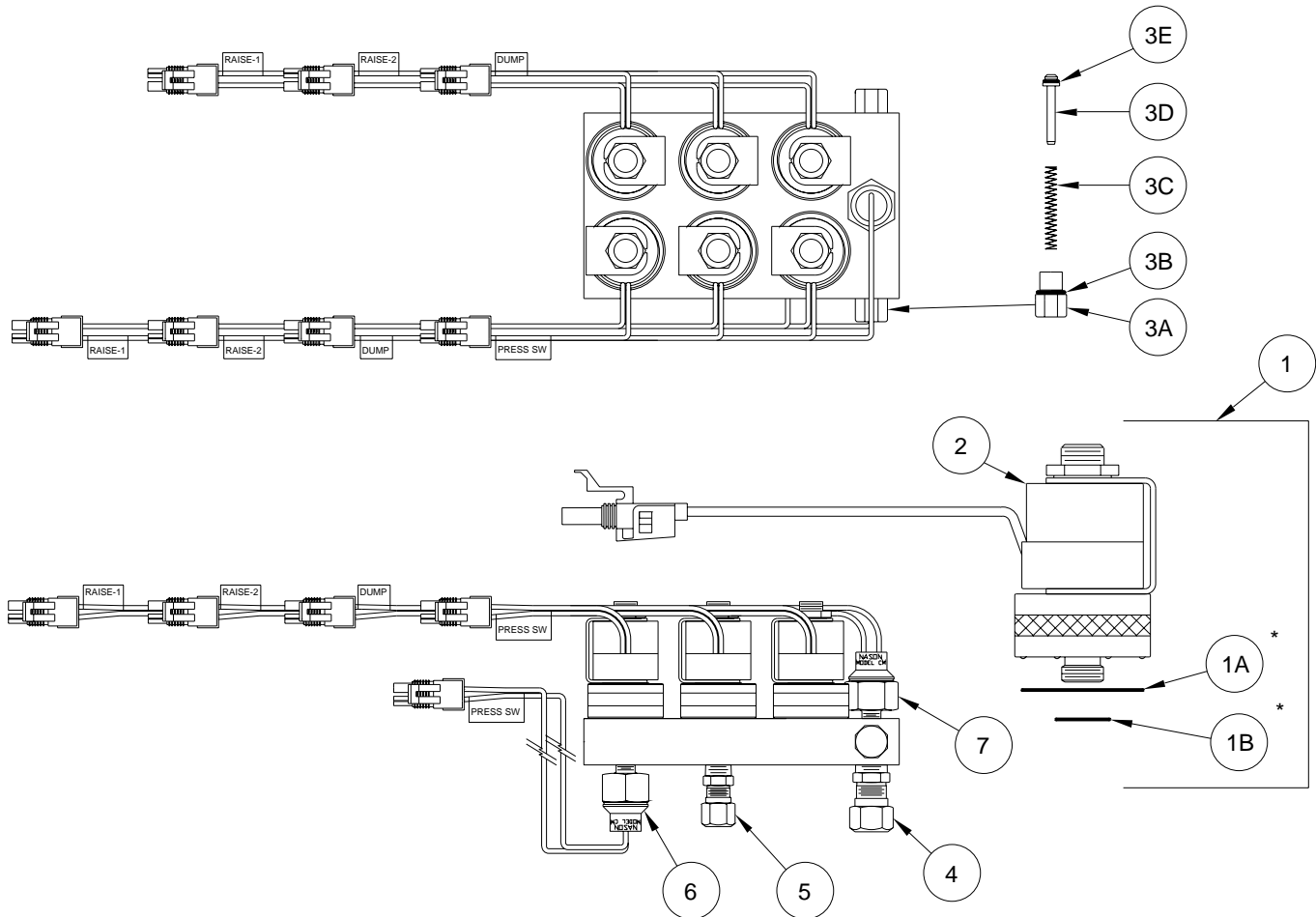


MANIFOLD ASSEMBLY, AIR - 6 VALVE (AP25184)

(WITH 3-PRESSURE SWITCHES)



ITEM	PART	QTY	DESCRIPTION
1	RAP90989	6	SOLENOID VALVE HI FLOW SCREW MOUNTED COMPLETE : INCLUDES 1A, 1B AND 2
1A			O-RING
1B			O-RING
	RAP6554	1	O-RING KIT COMPOSED OF (6) 1A AND (6) 1B
2	RAP90568	1	REPLACEMENT COIL

ITEM	PART	QTY	DESCRIPTION
3	RAP6553	1	CHECK VALVE KIT
3A		2	CAP
3B		2	O-RING
3C		2	SPRING
3D		2	PLUNGER
3E		2	O-RING
4	RF4970	1	MALE CONNECTOR 1/2" X 3/8"
5	RF4478	2	MALE CONNECTOR 1/4" X 3/8"
6	RAP90580	2	SWITCH PRESSURE 35 PSI
7	RAP90570	1	SWITCH PRESSURE 85 PSI

* GREASE LIGHTLY PRIOR TO ASSEMBLY

NOTE : INDENTED ITEMS INCLUDED WITH PRECEDING ITEM.

MR05.3712
09MAY13