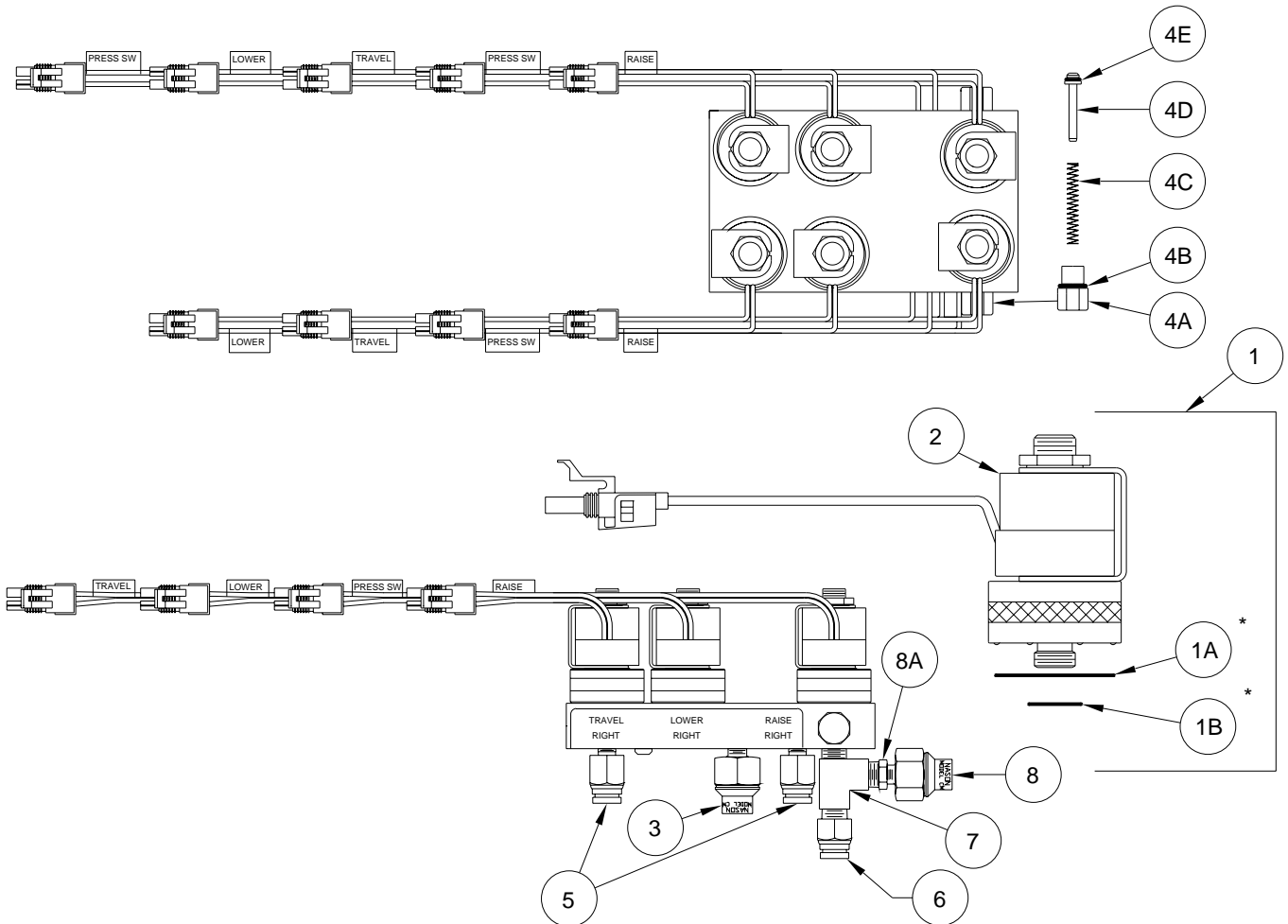


# MANIFOLD ASSEMBLY, AIR - 6 VALVE (AP25507)

## (WITH 3-PRESSURE SWITCHES & PUSH TO CONNECT FITTINGS)



ITEM	PART	QTY	DESCRIPTION
------	------	-----	-------------

1	RAP1940	6	SOLENOID VALVE SCREW MOUNTED COMPLETE : INCLUDES 1A, 1B AND 2
1A			O-RING
1B			O-RING

	RAP6554	1	O-RING KIT COMPOSED OF (6) 1A AND (6) 1B
2	RAP90568	1	REPLACEMENT COIL
3	RAP1720	2	SWITCH PRESSURE 20 PSI

ITEM	PART	QTY	DESCRIPTION
------	------	-----	-------------

4	RAP6553	1	CHECK VALVE KIT
	4A	2	CAP
	4B	2	O-RING
	4C	2	SPRING
	4D	2	PLUNGER
	4E	2	O-RING
5	RF91587	4	3/8" PUSH TO CONNECT 1/8" NPT
6	RF91586	1	3/8" PUSH TO CONNECT 1/4" NPT
7	RF6944	1	1/4" STREET TEE
8	RAP90570	1	SWITCH PRESSURE 85 PSI
8A	RF90172	1	BRASS BUSHING 1/4" X 1/8"

\* GREASE LIGHTLY PRIOR TO ASSEMBLY

NOTE : INDENTED ITEMS INCLUDED WITH PRECEDING ITEM.

**MR05.3715**  
**09MAY13**