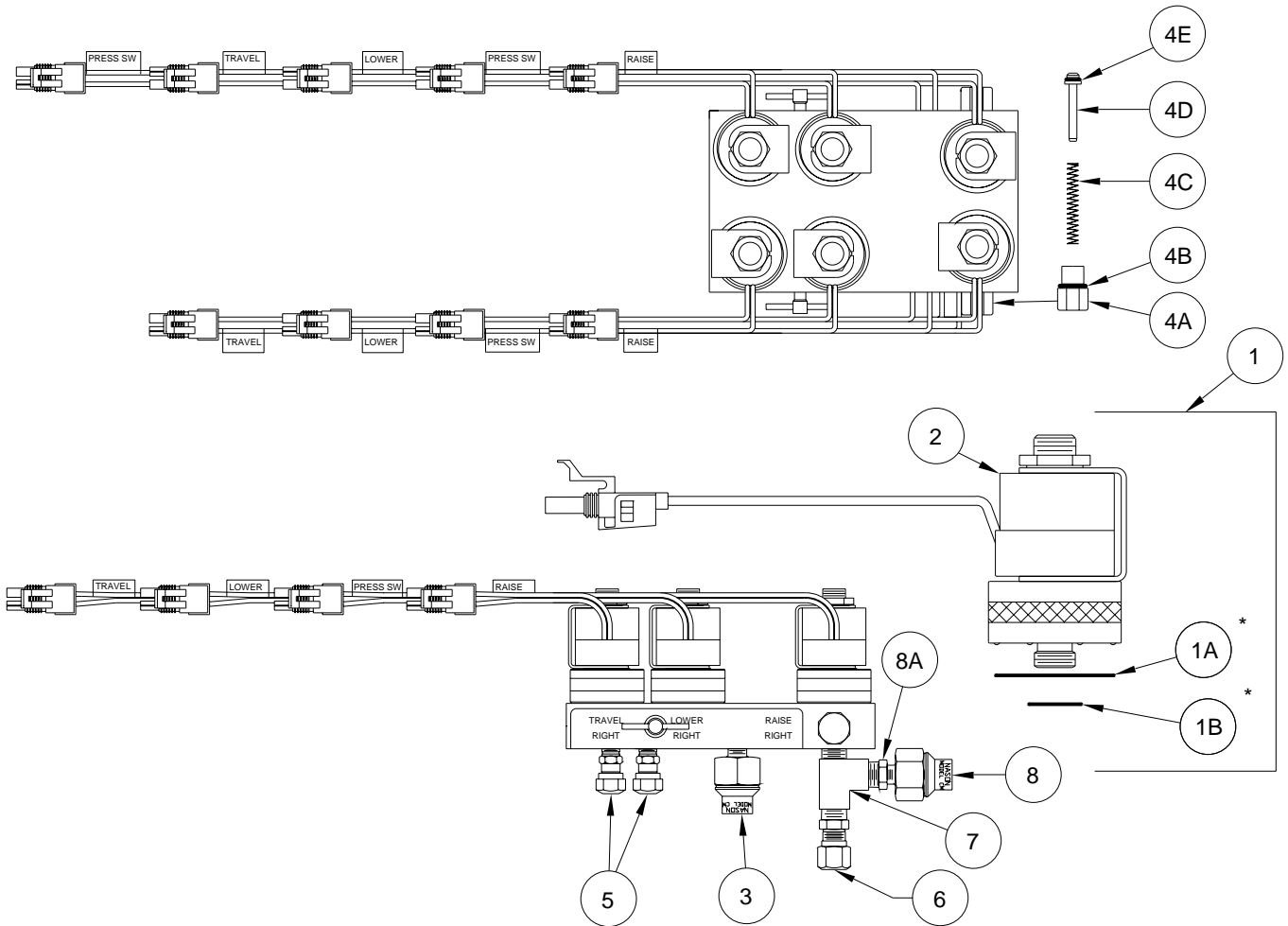


MANIFOLD ASSEMBLY, AIR - 6 VALVE (AP28527)

(WITH TRAVEL BY-PASS 3-PRESSURE SWITCHES)



ITEM	PART	QTY	DESCRIPTION
------	------	-----	-------------

1	RAP1940	6	SOLENOID VALVE SCREW MOUNTED COMPLETE : INCLUDES 1A, 1B AND 2
1A			O-RING
1B			O-RING

	RAP6554	1	O-RING KIT COMPOSED OF (6) 1A AND (6) 1B
2	RAP90568	1	REPLACEMENT COIL
3	RAP1720	2	SWITCH PRESSURE 20 PSI

ITEM	PART	QTY	DESCRIPTION
------	------	-----	-------------

4	RAP6553	1	CHECK VALVE KIT
4A		2	CAP
4B		2	O-RING
4C		2	SPRING
4D		2	PLUNGER
4E		2	O-RING
5	RF4337	4	MALE CONNECTOR 1/8" X 3/8"
6	RF4478	1	MALE CONNECTOR 1/4" X 3/8"
7	RF6944	1	1/4" STREET TEE
8	RAP90570	1	SWITCH PRESSURE 85 PSI
8A	RF90172	1	BRASS BUSHING 1/4" X 1/8"

* GREASE LIGHTLY PRIOR TO ASSEMBLY

NOTE : INDENTED ITEMS INCLUDED WITH PRECEDING ITEM.

MR05.3718
09MAY13