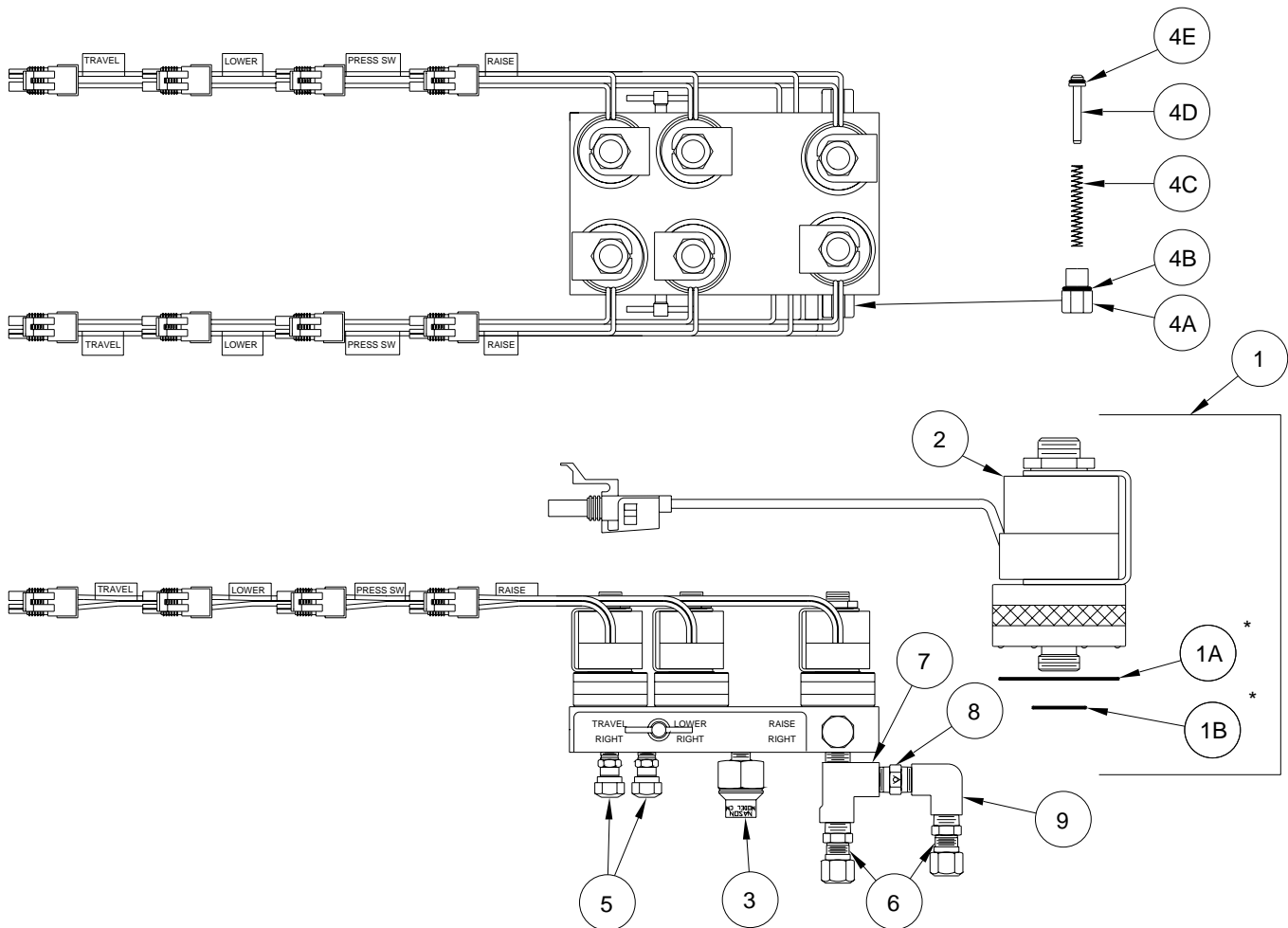


# MANIFOLD ASSEMBLY, AIR - 6 VALVE (AP28528)

## (WITH TRAVEL BY-PASS 2-PRESSURE SWITCHES)



ITEM	PART	QTY	DESCRIPTION
------	------	-----	-------------

1	RAP1940	6	SOLENOID VALVE SCREW MOUNTED COMPLETE : INCLUDES 1A, 1B AND 2
1A			O-RING
1B			O-RING

	RAP6554	1	O-RING KIT COMPOSED OF (6) 1A AND (6) 1B
2	RAP90568	1	REPLACEMENT COIL
3	RAP1720	2	SWITCH PRESSURE 20 PSI

ITEM	PART	QTY	DESCRIPTION
------	------	-----	-------------

4	RAP6553	1	CHECK VALVE KIT
	4A	2	CAP
	4B	2	O-RING
	4C	2	SPRING
	4D	2	PLUNGER
	4E	2	O-RING
5	RF4337	4	MALE CONNECTOR 1/8" X 1/4"
6	RF4478	2	MALE CONNECTOR 1/4" X 3/8"
7	RF6944	1	1/4" STREET TEE
8	RP5597	1	CHECK VALVE
9	RF91776	1	1/4" BRASS ELBOW

\* GREASE LIGHTLY PRIOR TO ASSEMBLY

NOTE : INDENTED ITEMS INCLUDED WITH PRECEDING ITEM.

**MR05.3719**  
**09MAY13**