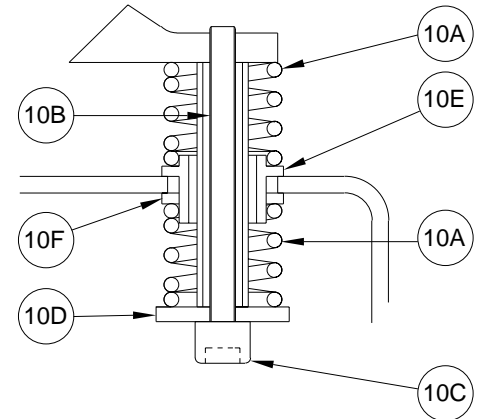
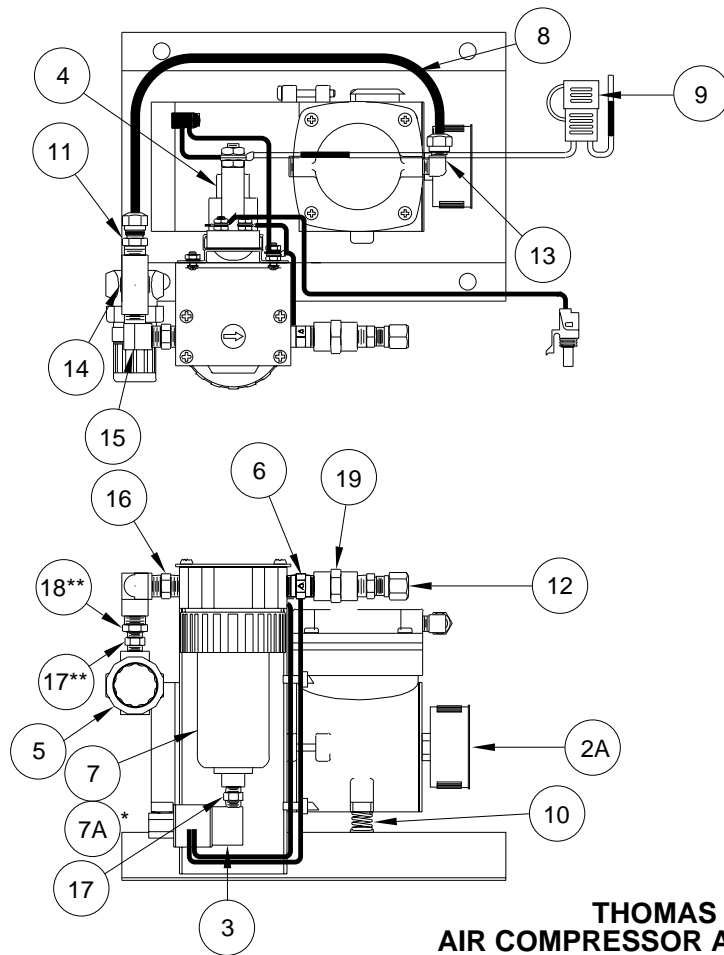
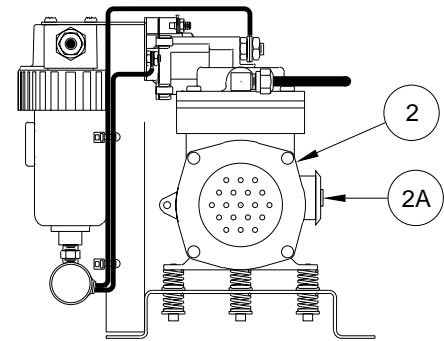


COMPRESSOR, AIR - 1 OUTPUT, THOMAS (AP41746)



* IF EXISTING FILTER ASSEMBLY HAS A THREADED BOWL, A COMPLETE FILTER ASSEMBLY WILL HAVE TO BE ORDERED.



THOMAS AIR COMPRESSOR ASSEMBLY

ITEM	PART	QTY	DESCRIPTION
1	RX92792		AIR COMPRESSOR (COMPLETE 12 VOLT)
2	RAP6192	1	COMPRESSOR 12 VOLT
2A	RAP6563	1	FILTER KIT (FILTER AND PLUG)
3	RAP90911	1	SOLENOID VALVE (NORMALLY OPEN)
4	RP5512	1	RELAY (12 VOLT ESSEX)
5	RAP90160	1	RELIEF VALVE (ADJUSTABLE)
6	RP5597	1	CHECK VALVE
7	RAP5883	1	FILTER ASSEMBLY (REPLACES RAP5935)
7A	RAP90539	1	REPLACEMENT BOWL
8	RP6566	1	AIRLINE 1/4"
9	RAP6551	1	HARNES FUSED 15 AMP FUSE

ITEM	PART	QTY	DESCRIPTION
10	RAP6562	1	SPRING KIT
10A		6	SPRING
10B		3	SPACER
10C		3	SHCS
10D		3	WASHER
10E		3	SPRING SUPPORT
10F		3	RING
11	RF6549	1	MALE CONNECTOR BRASS 1/4" X 1/4"
12	RF4478	1	1/4" NPT TO 3/8" TUBE
13	RF6791	1	BRASS ELBOW 1/8" X 1/4"
14	RF5887	1	BRASS TEE 1/4"
15	RF3340	1	BRASS ELBOW 1/4" X 1/4"
16	RF6011	1	BRASS NIPPLE 1/4"
17	RF90170	2	BRASS NIPPLE 1/8"
18	RF90172	1	BRASS BUSHING 1/4" X 1/8"

**NOTE: ONE RF90908 CAN BE USED TO REPLACE ITEMS 17 AND 18 USED ON THE RELIEF VALVE

19	RF5599	1	COUPLING 1/4"
----	--------	---	---------------