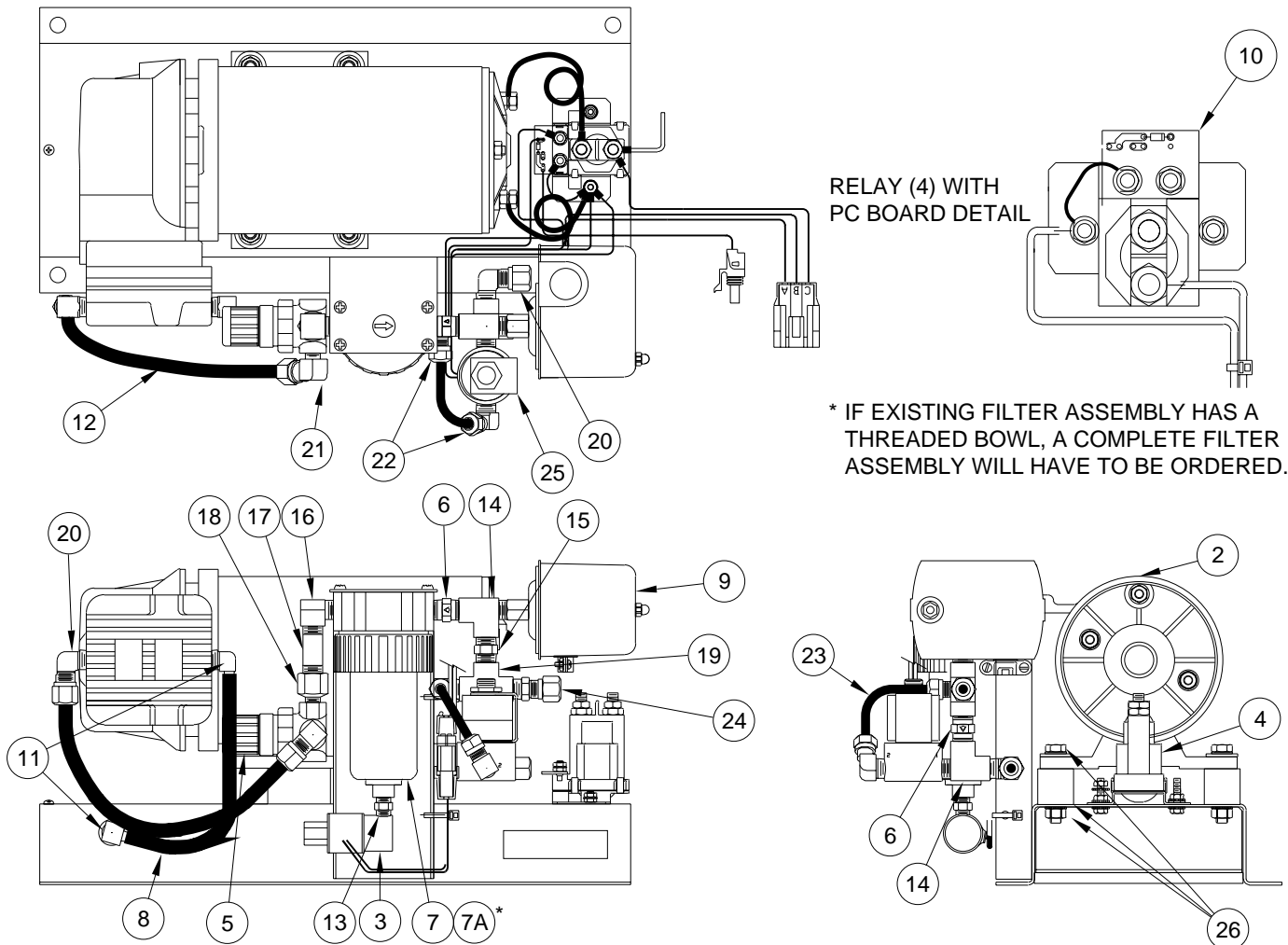


COMPRESSOR, AIR - (AP25081)



AIR COMPRESSOR ASSEMBLY

| ITEM | PART | QTY | DESCRIPTION | ITEM | PART | QTY | DESCRIPTION |
|------|----------|-----|------------------------------------|------|----------|-----|------------------------------------|
| 1 | RX92767 | | AIR COMPRESSOR ASSEMBLY - 12V | 17 | RF91777 | 1 | 1/4" PIPE NIPPLE LONG |
| 2 | RAP91524 | 1 | COMPRESSOR 12 VOLT | 18 | RF1457 | 1 | 1/8" TO 1/4" PIPE ADAPTER |
| 3 | RAP6354 | 1 | SOLENOID VALVE (NORMALLY OPEN) | 19 | RF90675 | 1 | BRASS CROSS 1/4" |
| 4 | RP5512 | 1 | RELAY (12 VOLT ESSEX) | 20 | RF90164 | 2 | BRASS ELBOW 1/4" PIPE TO 3/8" TUBE |
| 5 | RAP90160 | 1 | RELIEF VALVE (ADJUSTABLE) | 21 | RF91947 | 1 | BRASS ELBOW 1/8" PIPE TO 3/8" TUBE |
| 6 | RP5597 | 2 | CHECK VALVE | 22 | RF6257 | 2 | BRASS ELBOW 1/4" PIPE TO 1/4" TUBE |
| 7 | RAP5883 | 1 | FILTER ASSEMBLY (REPLACES RAP5935) | 23 | RP92181 | 1 | 1/4" PTFE TUBING |
| 7A | RAP90539 | 1 | REPLACEMENT BOWL | 24 | RF4478 | 1 | 1/4" NPT TO 3/8" TUBE |
| 8 | RP90957 | 1 | AIRLINE 1/4" | 25 | RAP91775 | 1 | SOLENOID VALVE (2 WAY) |
| 9 | RAP90948 | 1 | SWITCH PRESSURE | 26 | RAP92778 | 1 | COMP MOUNTING KIT |
| 10 | RAP91888 | 1 | PC BOARD ASSY. | 26A | | 4 | CAP SCREW 5/16-18 X 0.75 |
| 11 | RAP91779 | 2 | 1/4" HOSE TO 1/4" PIPE | 26B | | 8 | WASHER LOCK 5/16 |
| 12 | RP91873 | 1 | 3/8" PTFE TUBING | 26C | | 4 | WASHER FLAT 5/16 |
| 13 | RF90170 | 1 | BRASS NIPPLE 1/8" | 26D | | 4 | COMPRESSOR MOUNT |
| 14 | RF6944 | 2 | BRASS STREET TEE 1/4" | 26E | | 4 | NUT 5/16 - 18 |
| 15 | RF6011 | 1 | BRASS NIPPLE 1/4" | | | | |
| 16 | RF3340 | 3 | 1/4" X 1/4" BRASS ELBOW | | | | |